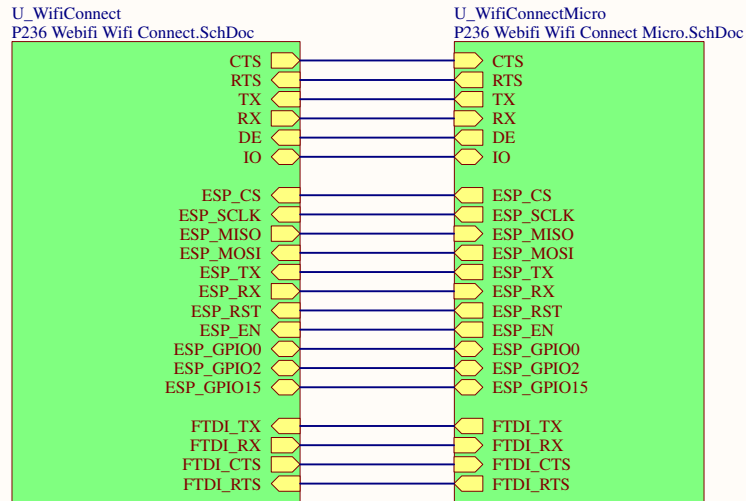



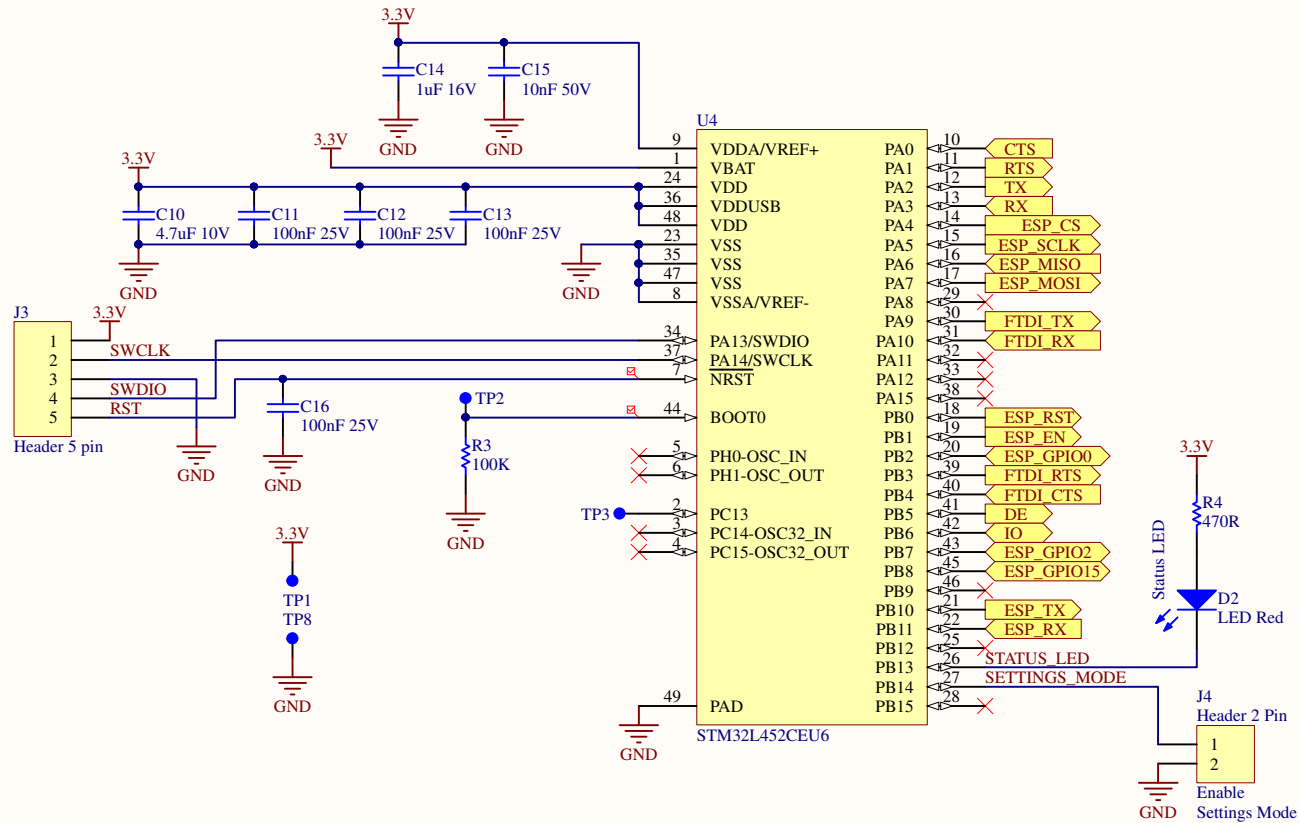
Revision History:

Rev A:
- First design



		Title		Wifi Connect - Top Level	
		Size	Number	Revision	
A4		P236		A	
Date:	17/07/2018		Sheet 1 of 1		
File:	C:\Dropbox\..P236 Webifi Wifi Connect\Drawings\SchDoc				

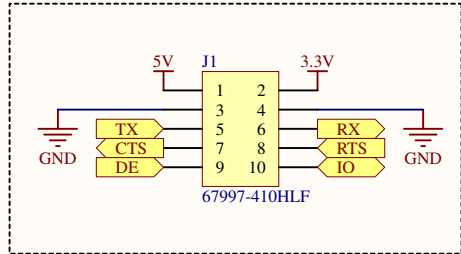
STM32 Micro Controller



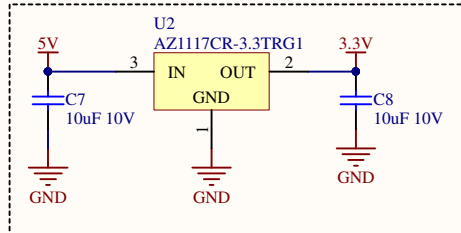
Peripherals used:
 FTDI UART (ISP): UART1
 Header Pins UART: UART2
 WIFI (ESP) UART: UART3
 ESP12-F SPI: SPI1

Title: Wifi Connect - Micro		
Size: A4	Number: P236	Revision: A
Date: 17/07/2018	Sheet 1 of 1	
File: C:\Dropbox\...P236 Webifi Wifi Connect	Drawn by: J. Jetschko	

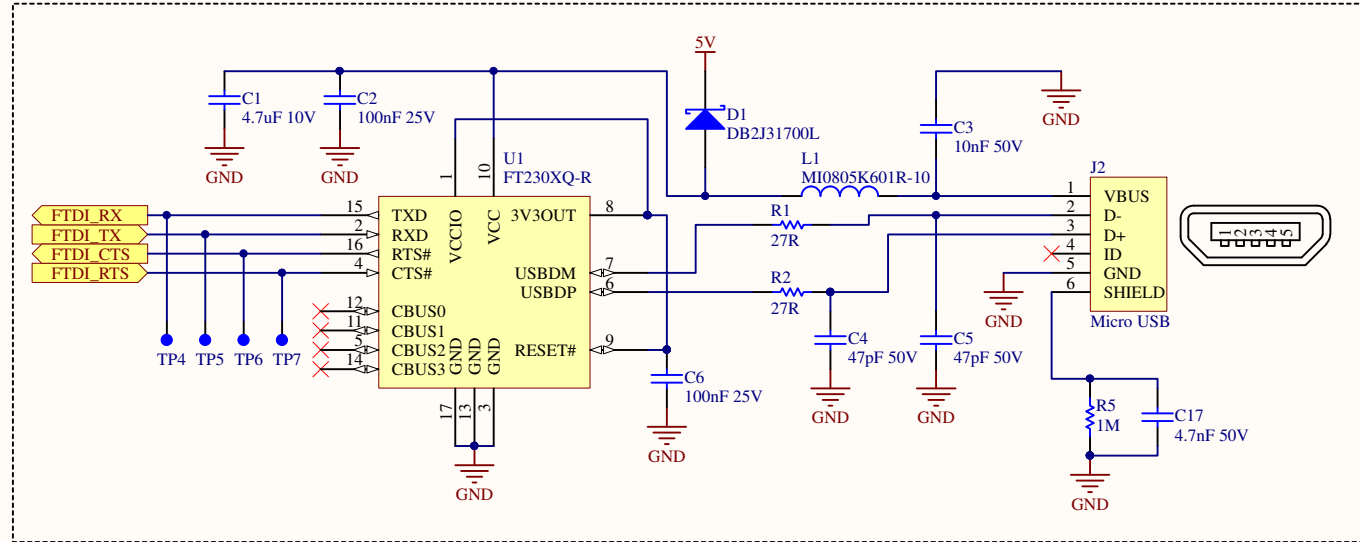
Connector



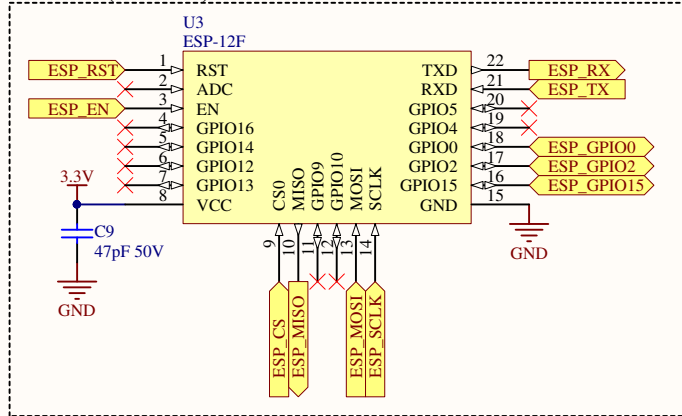
Power



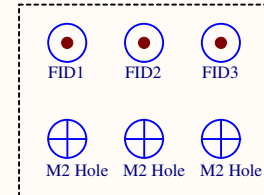
FTDI USB Interface




ESP8266 (ESP12-F) WIFI Interface



Mechanical



		Title	
		Wifi Connect	
Size	Number	Revision	
A4	P236	A	
Date:	17/07/2018	Sheet 1 of 1	
File:	C:\Dropbox\...P236 Webifi Wifi Connect_SCH.Dwg By: H Jetschko		